

# CAM1420S2

## 3 Megapixel Compact Fixed Dome Network Camera



- Megapixel Progressive Scan CMOS Sensor
- Up to 2048 x 1536 Video Resolution
- H.264/MPEG4/MJPEG 2 Simultaneous Video Streams
- Support Surveon Video Intelligence
- Advanced ISP Function (WDR, 2D/3D De-noise, Edge Enhancement)
- Power over Ethernet (IEEE 802.3af)



### Product Specification

Camera	
Image Sensor	1/3" megapixel progressive scan CMOS
Lens	f2.8mm, F1.8
SNR	48dB
WDR	Yes
Day/Night ICR	N/A
IR LED	N/A
Min Illumination	0.01 Lux @ F1.8 (B/W) 0.1 Lux @ F1.8 (Color)
Iris Control	Fixed
Shutter time	1/1 ~ 1/10,000 s
Viewing Angle	Diagonal: 128°, Horizontal: 98°, Vertical: 81°
Camera Angle Adjustment	Pan ±70° Tilt 0°~90°
Pan/Tilt/Zoom Functionalities	N/A
Video	
Video Compression	H.264/MPEG-4/MJPEG
Resolution	Up to 2048 x 1536
Frame Rate	25 fps at QXGA (2048 x 1536) 30 fps at 1080P (1920 x 1080) 30 fps at SXGA (1280 x 1024) 30 fps at HD720 (1280 x 720) 30 fps at D1 (720 x 480) 30 fps at VGA (640 x 480) 30 fps at QVGA (320 x 240)
Video stream	Dual stream at H.264, MPEG-4, and MJPEG simultaneously
Bit Rate	32K ~ 10Mbps, VBR, CBR, controller frame rate and quality
Video Control	AGC (Auto Gain Control), AWB (Auto White Balance), AES (Auto Electronic Shutter), WDR, 2D/3D De-noise, Edge Enhancement, image adjustment
Intelligent video	Motion detection, tampering detection (blocked, redirected, defocused, or spray-painted)
Video Jack	N/A

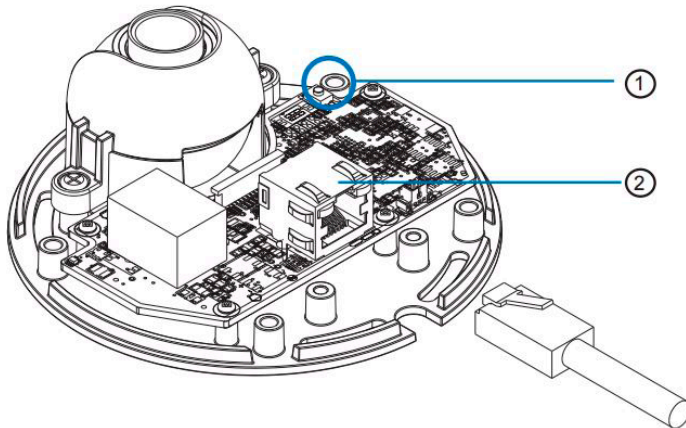
Audio	
Built-in MIC	Yes
Audio Compression	16KHz, ADPCM/G.711
Audio Input/Output	N/A
I/O and Event Management	
Alarm In	N/A
Alarm Out	N/A
Video Buffer	5 second pre-alarm, 5 second post-alarm
Event Action	Send snapshot or video clip by FTP or email, record to NAS
Network	
Supported Protocols	IPv4, IPv6, ARP, TCP, UDP, ICMP, IGMP, DHCP, NTP, DDNS, SMTP, FTP, HTTP, HTTPS, CIFS, PPPoE, UPnP, RTP, RTSP, RTCP, 3GPP, ONVIF, iSCSI
Ethernet	10/100 Base-T / RJ45
System	
Local Storage*	N/A
RS-485	N/A
USB	N/A
SDK	Surveon SDK 2.0
Viewing System	
OS	Microsoft Windows XP/Vista/7
Browser	IE 8.x or above, Safari, Chrome (via IE Tab)
Software	Surveon VMS 2.5
General	
Temperature	Operation: -10°C ~ 50°C (14°F~122°F)
Humidity	5 to 90%
Power	PoE (IEEE 802.3af) with Class 3
Power Consumption	Max. 3.2W
Dimension	ø100mm x 43mm (H) (3.94" x 1.69")
Weight	Net: 190g Gross: 305g
Certification	Safety: LVD EMC: FCC, CE
Warranty	3 years

\* All specifications are subject to change without notice.  
\* All brand names and registered trademarks are the property of their respective owners.

# CAM1420S2

3 Megapixel Compact  
Fixed Dome Network Camera

## Part Names and Functions



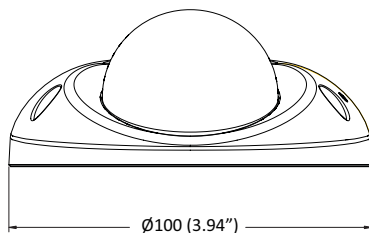
Connect the camera to network with the network connector.

- ① Reset Button
- ② Network Connector

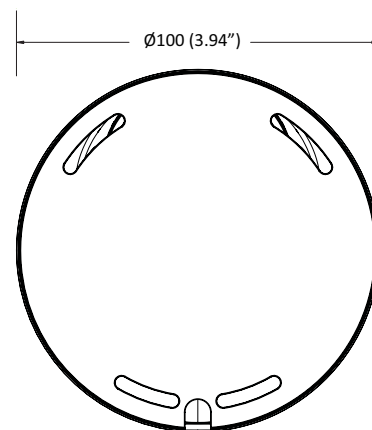
## Appearance

Unit:mm(inches)

Side View



Bottom View



## Package Content

Contents	Quantity
Quick Installation Guide	1
Product DVD	1
CAM1420S2	1
Screw Hole Indicator Sticker	1
Anchors and Mounting Screws	3

## Ordering Information

Part Number	Description
CAM1420S2-3-0015	3 megapixel H.264 fixed dome network camera with f2.8 mm, F1.8 lens

## Optional Accessories

Part Number	Description
YBPIC0001G0	PoE Injector, 15.4W, 10/100M



Oriente 65-A No. 2848, Col. Asturias, Col.  
Cauhtémoc, C.P. 06850, México, D.F. Tels.:  
(55) 5740 4630 / (55) 5740 2142  
ventas@telsa.com.mx  
www.telsa.com.mx