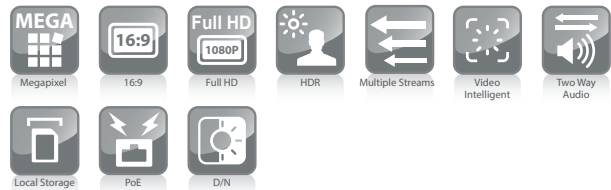


CAM2441SC

3 Megapixel HDR Day/Night Box Network Camera



- Megapixel Progressive Scan HDR Sensor
- Up to 2048x1536 30FPS & 1920x1080 60FPS
- H.264/MPEG4/MJPEG Four Simultaneous Video Streams
- Support Surveon Video Intelligence
- MicroSD/SDHC Local Storage for Alarm Capture
- Advanced ISP Function (Smart HDR, Smart 2D/3D De-noise, Edge Enhancement)
- HDR (High Wide Dynamic Range) and ROI (Video Cropping)
- PoE (IEEE 802.3af) and Day/Night IR-Cut Filter
- Day/Night profiles for optical settings



* The lens needs to be purchased separately.

Product Specification

Camera	
Image Sensor	1/3" megapixel progressive scan CMOS
Lens	Changeable (CS/C mount)
SNR	50dB
WDR	Yes (HDR, 120 dB)
Day/Night ICR	Yes
IR LED	N/A
Min Illumination	0.01 Lux @ F1.2 (B/W) 0.1 Lux @ F1.2 (Color)
Iris Control	DC drive
Shutter time	1/1 ~ 1/10,000 s
Viewing Angle	N/A
Camera Angle Adjustment	N/A
Pan/Tilt/Zoom Functionalities	N/A
Video	
Video Compression	H.264/MPEG-4/MJPEG
Resolution	Up to 2048 x 1536
Frame Rate	30 fps at QXGA (2048 x 1536) 60 fps at 1080P (1920 x 1080) 60 fps at SXGA (1280 x 1024) 60 fps at 720P (1280 x 720) 60 fps at D1 (720 x 480) 60 fps at VGA (640 x 480) 60 fps at QVGA (320 x 240)
Video Stream	Four streams at H.264, MPEG-4, and MJPEG simultaneously
Bit Rate	32K ~ 20Mbps, VBR, CBR, controller frame rate and quality
Video Control	AGC (Auto Gain Control), AWB (Auto White Balance), AES (Auto Electronic Shutter), BLC (Back Light Compensation), HDR, 2D/3D De-noise, ROI, Edge Enhancement, image adjustment
Intelligent video	Motion detection, tampering detection (blocked, redirected, defocused, or spray-painted)
Video Jack	Yes (BNC)
Audio	
Built-in MIC	N/A
Audio Compression	16KHz, ADPCM/G.711
Audio Input/Output	3.5mm phone jack

I/O and Event Management	
Alarm In	1, terminal block
Alarm Out	1, terminal block
Video Buffer	5 second pre-alarm, 30 second post-alarm
Event Action	Send snapshot or video clip by FTP or email, record to NAS, record to local storage, trigger DO
Network	
Supported Protocols	IPv4, IPv6, ARP, TCP, UDP, ICMP, IGMP, DHCP, NTP, DDNS, SMTP, SNMP, FTP, HTTP, HTTPS, CIFS, PPPoE, UPnP, RTP, RTSP, RTCP, 3GPP, ONVIF, iSCSI
Ethernet	10/100 Base-T / RJ45
System	
Local Storage	microSD/SDHC x 1
RS-485	1 (2 pin on terminal block)
USB	N/A
SDK	Surveon SDK 2.0
Viewing System	
OS	Microsoft Windows 7/8
Browser	IE 8.x or above, Safari, Chrome (via IE Tab)
Software	Surveon VMS 2.5
General	
Temperature	Operation: -10°C ~ 50°C (14°F ~ 122°F)
Humidity	5 to 90%
Power	12VDC 1.5A; PoE (IEEE 802.3af) with Class 3
Power Consumption	Max. 8.5W
Dimension	74.95mm x 59.3mm x 153.5mm (2.95" x 2.34" x 6.04")
Weight	Net: 435g (0.96 lb) Gross: 1085g (2.4 lb)
Certification	Safety: LVD EMC: FCC, CE
Warranty	3 year

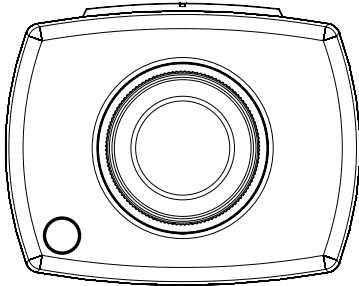
* All specifications are subject to change without notice.
* All brand names and registered trademarks are the property of their respective owners.

CAM2441SC

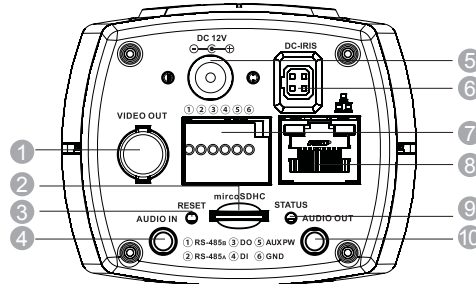
3 Megapixel HDR Day/Night
Box Network Camera

Part Names and Functions

Front View



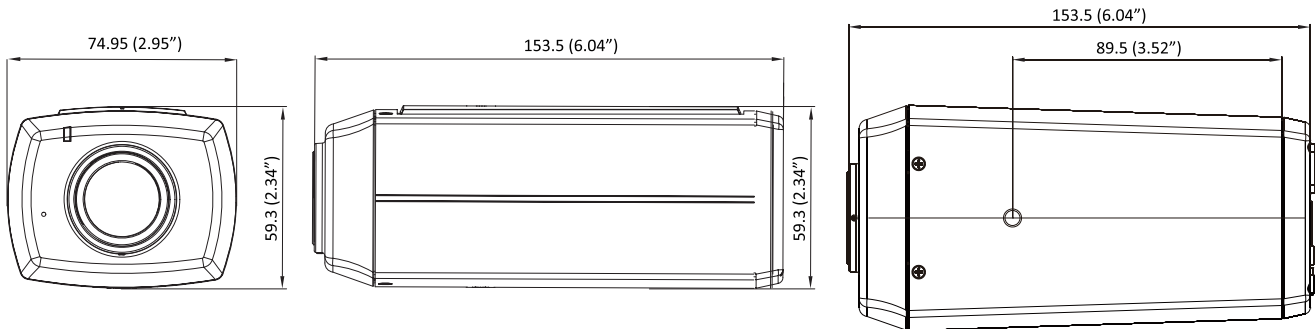
Rear View



- | | |
|-------------------|---------------------------|
| 1 Video out | 6 DC-Iris connector |
| 2 microSDHC slots | 7 I/O terminal connectors |
| 3 Reset button | 8 Network connector |
| 4 Audio in | 9 Status indicator |
| 5 Power connector | 10 Audio out |

Appearance

Unit:mm(inches)



Package Content

Contents	Quantity
Quick Installation Guide	1
Product DVD	1
CAM2441SC	1
Camera Stand	1
Decoration Ring	1
L Type Hexagon Spanner	1

Optional Accessories

Part Number	Description
ZPWR18W-0030	Power Adapter, 12VDC, 1.5A; 18W
YBPIC0001G0	PoE Injector, 15.4W, 10/100M
ZBracketS2-0010	Camera Long Stand for Box Camera, White
ZBracketS2-0050	Camera Long Stand for Box Camera, Silver
ZHousing-0010	IP66 Top Open IK10 Vandal Proof Box Camera Housing
ZHousing50M-0010	IP66 Top Open IK10 Vandal Proof Box Camera Housing with 50M IR LED

Lens Options

Part Number	Description
YB0LJ6G01G0	1/2.7", f3.0-10.5mm/F1.4, DC-iris, CS mount
YB0LCB6C01G0	1/2.7", f3.1-8mm/F1.2, DC-iris, CS mount



Oriente 65-A No. 2848, Col. Asturias, Col.
 Cuauhtémoc, C.P. 06850, México, D.F. Tels.:
 (55) 5740 4630 / (55) 5740 2142
 ventas@telsa.com.mx
 www.telsa.com.mx