

# NVR2100 Series

## Enterprise Megapixel RAID NVR



- Maximum 64 CH Megapixel Recording (up to 5MP or above)
- Enterprise-Grade RAID Subsystem
- Expandable to Maximum 448TB
- DAS and iSCSI SAN Supported
- Scalable Client-Server Architecture
- Up to 64 CH Real-time VI Detection



### Software Specifications

|                   |   |                    |   |
|-------------------|---|--------------------|---|
| Live View         | <ul style="list-style-type: none"> <li>• Real-time network camera discovery</li> <li>• Versatile views of various screen divisions</li> <li>• HTML and image overlays</li> <li>• Multiple views supported</li> <li>• View patrolling for single or multiple views</li> <li>• Real time video/event alarm display</li> <li>• Instant playback</li> <li>• Video clip bookmarking</li> <li>• Support 3 installation modes and 5 different fisheye Dewarp display modes</li> <li>• Support PAP (picture in picture) Display</li> <li>• Support 2 way audio</li> </ul>   | Video Intelligence | <ul style="list-style-type: none"> <li>• Yes</li> </ul>   |
| eMAP              | <ul style="list-style-type: none"> <li>• Drag-n-drop camera manipulation</li> <li>• Directional camera display</li> <li>• Hierarchical map structure • Real time event alert</li> <li>• Instant live video of camera</li> <li>• Multiple layer maps supported</li> </ul>  | Recording Policy   | <ul style="list-style-type: none"> <li>• Supports up to 64 channels megapixel recording</li> <li>• Continuous recording • Manual recording</li> <li>• Event-driven recording along with rules</li> <li>• Scheduled recording on daily or weekday basis</li> <li>• Post alarm recording 5-45 minutes</li> <li>• Pre-alarm recording 5-45 minutes</li> </ul>  |
| PTZ               | <ul style="list-style-type: none"> <li>• Pan, tilt, zoom operations (dependent of camera)</li> <li>• Built-in, floating PTZ control panel</li> <li>• Preset position (dependent of camera)</li> <li>• Scheduled or continuous camera patrolling</li> <li>• Event-driven camera patrolling</li> <li>• Support on Screen PTZ with 8 directional virtual control pad</li> <li>• Support CH Products USB joystick</li> </ul>  | Rule Manager       | <ul style="list-style-type: none"> <li>• Conditional recording/alert/notification</li> <li>• Email, FTP, SMS, popup window, PTZ, VI Panel, Relay output notifications</li> <li>• Sound, alarm, round-the-clock alerts</li> </ul>  |
| I/O               | <ul style="list-style-type: none"> <li>• Digital I/O management</li> <li>• Support Ethernet I/O device</li> </ul>   | Remote Management  | Full functional operation & management via VMS Client   |
| Multiple Displays | <ul style="list-style-type: none"> <li>• Up to 8 monitors</li> <li>• Supports live view, playback, eMap functions</li> <li>• Direct display to secondary monitor(s)</li> </ul>  | Remote Client      | <ul style="list-style-type: none"> <li>• Web Client • iPhone client • Android Client</li> </ul>   |
| Investigation     | <ul style="list-style-type: none"> <li>• Search by date, time, camera</li> <li>• Search by pre-defined recent time</li> <li>• Search by VI event combinations</li> <li>• Search over multiple days</li> <li>• Search over multiple cameras</li> <li>• Frame by frame / Key frame modes playback</li> <li>• Video clip bookmarking and commenting</li> <li>• Different color display on recorded data date</li> <li>• Search via built-in VI analyzer</li> <li>• Customizable bookmark</li> <li>• Intuitive, video thumbnail search results</li> <li>• Cue-in, cue-out and repeat</li> <li>• Quick playback by video thumbnail</li> <li>• 1/8, 1/4, 1/2, 1x, 2x, 4x, 8x play, pause, stop</li> <li>• AVI-formatted video clip export</li> <li>• 4-channel synchronized playback</li> <li>• 5 different time interval scroll bar drag and drop playback</li> <li>• Support full screen playback mode</li> <li>• Support 3 installation modes and 5 different Fisheye Dewarp playback display modes</li> </ul> | 3rd Party IPCAM    | <ul style="list-style-type: none"> <li>• ACTi, Arecont Vision, Asoni, AVTECH, AXIS, Bosch, Brickcom, Dahua, D-Link, Dynacolor, EDIMAX, EverFocus, Hikvision, IQinvision, Lilin, Messoa, Mobotix, Panasonic, Samsung, Shany, SIMON, SONY, Sunell, Vivotek</li> </ul>   |
| Instant Playback  | <ul style="list-style-type: none"> <li>• Supported in video alarm, event alarm, view functions</li> <li>• Pre-defined playback durations</li> <li>• Video clip bookmarking</li> </ul>   | Storage Expansion  | <ul style="list-style-type: none"> <li>• Supports Infortrend RAID storage</li> <li>• Built-in RAID storage management</li> </ul>  |
|                   |   | General & Misc.    | <ul style="list-style-type: none"> <li>• Image enhancement • Video privacy mask</li> <li>• Digital zoom in, zoom out</li> <li>• Log viewer, log export mechanism • System lockup</li> <li>• Client auto login • Automatic storage recycling</li> <li>• Client-server architecture</li> <li>• Customized authority account management</li> <li>• Customizable appearance of Surveon logo</li> <li>• Configurable video retention period</li> <li>• Digital watermark proofing</li> <li>• Support DDNS Function</li> <li>• Support NTP Server synchronized</li> <li>• Support Virtual keyboard</li> <li>• Provide System and VI setup Help assistance</li> <li>• Support Customized Event management and log mechanism</li> </ul> |
|                   |   | Language           | <ul style="list-style-type: none"> <li>• Multiple Language supported on VMS and Web Client: English, French, German, Portuguese, Spanish, Simple Chinese, Traditional Chinese, Italian, Japanese, Russian, Slovak, Czech, Dutch and Polish</li> </ul>   |

Network Video Recorder



Oriente 65-A No. 2848, Col. Asturias, Col. Cuauhtémoc, C.P. 06850, México, D.F. Tels.: (55) 5740 4630 / (55) 5740 2142  
 ventas@telsa.com.mx  
 www.telsa.com.mx

\* All specifications are subject to change without notice.  
 \* All brand names and registered trademarks are the property of their respective owners.

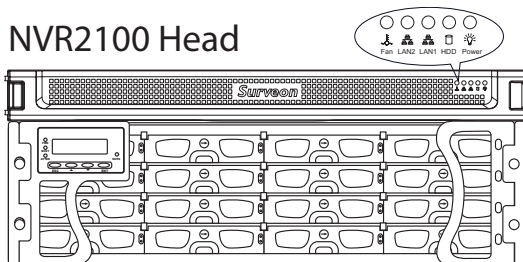
# NVR2100 Series

Enterprise Megapixel RAID NVR

## Functions

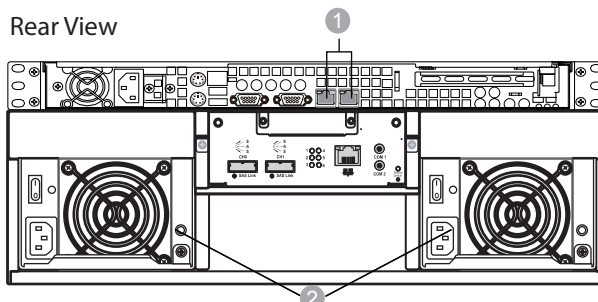
Front View

### NVR2100 Head



RAID Subsystem

Rear View



- 1 2 x Ethernet Port
- 2 Redundant Power Supply & Redundant Thermal Fan

## Hardware Specifications

| NVR2100 Head       |  |
|--------------------|--|
| System             | Client-server architecture, Chassis: 1U 19" Rack   |
| Server Processor   | Intel Core i3 @ 3.3 GHz or Intel XEON @ 3.2 GHz  |
| System Memory      | 4GB, DDRIII-1333   |
| Operating System   | 2.5" HDD with Windows 7 Embedded System  |
| I/O Interface      | <ul style="list-style-type: none"> <li>• PS2 Mouse port x1</li> <li>• PS2 Keyboard port x1</li> <li>• USB port x2</li> <li>• Serial Port x1</li> <li>• VGA Port x1</li> <li>• RJ-45: 2x Gigabit Ethernet</li> <li>• SAS Expansion port (Option)</li> </ul>   |
| Electrical         | <ul style="list-style-type: none"> <li>• Input voltage : 100-240 V, 50-60 Hz, 4.2-1.8 Amp</li> <li>• Power: Single 350 watt AC power</li> </ul>  |
| Power Consumption  | Rated output power: 350 W  |
| Weight             | Gross weight: 16.5 kg (38 lb.)   |
| Dimensions         | 50.3(W)x 43.7(D)x 4.3(H) cm (19.85" x 17.2" x 1.7")  |
| Environmental      | Temperature: <ul style="list-style-type: none"> <li>• Operating: 10° C to 35° C (50° F to 95° F)</li> <li>• Non-operating: -40° C to 70° C (-40° F to 158° F)</li> </ul> Humidity: <ul style="list-style-type: none"> <li>• Operating: 8% to 90%, non-condensing</li> <li>• Non-operating: 5% to 95% non-condensing</li> </ul> |
| Certification      | CB, FCC / CE Class A, UL60959/ IEC 60950, CCC  |
| RAID Subsystem     |  |
| Host Connectivity  | 1 or 2 SAS 4x wide ports per controller  |
| Drive Connectivity | SAS/SATA-II disk, 12 or 16 drives per system, hot swappable  |
| Form Factor        | 2~3U, 19 inch rackmount  |
| RAID Functionality | RAID 0, 1 (0+1), 3, 5, 6, 10, 30, 50, 60, hot-spare, online expansion, RAID migration, intelligent drive handling  |
| Environmental      | Operating temperature: 5° to 40°C (35°C if battery is applied)<br>Non-operating temperature: - 40° to 60°C<br>Humidity: 5 to 95%, non-condensing   |
| Dimensions         | 12 Bay: chassis without handles: 446(W) x 88(H) x 490(D) mm; chassis with handles: 482 (W) x 88(H) x 505(D) mm<br>16 Bay: chassis without handles: 445(W) x 130(H) x 488.2(D) mm; chassis with handles: 482.6(W) x 131(H) x 504.3(D) mm  |
| Weight             | Gross weight : 12 Bay:25kg ; 16 Bay: 30.5kg  |
| Certification      | CE, FCC Class B, BSMI, UL, GOST-R  |
| Warranty           | 3 years  |

## Package Content (NVR2100 Head)

| Contents                              | Quantity |
|---------------------------------------|----------|
| NVR2100 Series Network Video Recorder | 1        |
| Client Installation CD/DVD            | 1        |
| Quick Installation Guide              | 1        |
| Slide Rails                           | 2        |
| Slide Bracket                         | 2        |
| Cable Tie                             | 2        |
| Power Cord                            | 2        |
| RAID Subsystem*                       | 1        |

## Optional Accessories

| Part Number      | Description   |
|------------------|---|
| ZJOYSTICK-0050   | CH Products, IP Desktop USB Joystick. 3 axes joysticks for P/T control, 12 HID buttons, USB 1.1 HID compliant, Easy to use and operate. |
| ZETHIOBOX-0030   | Ethernet I/O Box, Ethernet Digital I/O Controller, Digital Input x6, Digital Output x3 (for VMS 2.4.8)                                  |
| ZPOE08-0030      | 8 Port 10/100Mbps 120W PoE Switch   |
| ZPOE26-0030      | 24 Port 10/100Mbps + 2 Port GBE Combo (UTP/SFP) 380W PoE Switch   |
| BH1DLS210-0010   | SAS External Card (SAS 6G HBA) for NVR21xxA1 Series, NVR21xxA2 Series   |
| H72A1XA3XXX-0030 | Hitachi, Enterprise, 2TB SATA HDD, 6Gb/s  |
| H72A2XA2XXX-0030 | Hitachi, Enterprise, 3TB SATA HDD, 6Gb/s  |
| H72A3XA3XX1-0030 | Hitachi, Enterprise, 4TB SATA HDD, 6Gb/s  |
| H1530HS2641-0030 | Hitachi, 300GB SAS HDD, 6Gb/s   |
| H1545HS2641-0030 | Hitachi, 450GB SAS HDD, 6Gb/s   |
| H1560HS2641-0030 | Hitachi, 600GB SAS HDD, 6Gb/s   |
| H72A1XS2XX1-0030 | Hitachi, 2TB SAS HDD, 6Gb/s   |
| H72A2XS2XX1-0030 | Hitachi, 3TB SAS HDD, 6Gb/s   |
| H72A1SS216-0030  | Toshiba, 2TB SAS HDD, 6Gb/s   |

\* Hard disk drives (HDD) are purchased separately. When selecting HDDs, HDD manufacturers always urge users to choose enterprise/surveillance grade drives for 24/7 surveillance operations to ensure system stability. The surveillance hard drives on our Approved Vendor List (AVL) are engineered to work continuously, withstand high-temperature fluctuations and equipment vibrations found in any typical surveillance application. To reduce errors occurred on your RAID data and the chance of the recording performance being affected, it is highly recommended to use HDDs listed on our Approved Vendor List (AVL) to ensure reliability. Find the AVL on our web page: <http://www.surveon.com/support/hardware.asp>

# NVR2100 Series

Enterprise Megapixel RAID NVR

## Performance Validation

| Model    | Camera Resolution | Camera FPS | Camera Bit Rate | Recording Channels | Local Live View Channels | Local Playback Channels | Remote Live View Channels | Remote Playback Channels |
|----------|-------------------|------------|-----------------|--------------------|--------------------------|-------------------------|---------------------------|--------------------------|
| SMR2006  | D1/VGA            | 30         | 2M              | 6                  | 6                        | 1                       | 16                        | 4                        |
| SMR2006  | 1.3M              | 30         | 4M              | 6                  | 6                        | 1                       | 16                        | 4                        |
| SMR2006  | 2M                | 15         | 4M              | 6                  | 6                        | 1                       | 16                        | 4                        |
| SMR2006  | 3M                | 10         | 4M              | 6                  | 6                        | 1                       | 16                        | 4                        |
| SMR2010  | D1/VGA            | 30         | 2M              | 10                 | 10                       | 1                       | 16                        | 4                        |
| SMR2010  | 1.3M              | 30         | 4M              | 10                 | 10                       | 1                       | 16                        | 4                        |
| SMR2010  | 2M                | 15         | 4M              | 10                 | 10                       | 1                       | 16                        | 4                        |
| SMR2010  | 3M                | 10         | 4M              | 10                 | 10                       | 1                       | 16                        | 4                        |
| SMR2016  | D1/VGA            | 30         | 2M              | 16                 | 16                       | 1                       | 16                        | 4                        |
| SMR2016  | 1.3M              | 30         | 4M              | 16                 | 16                       | 1                       | 16                        | 4                        |
| SMR2016  | 2M                | 15         | 4M              | 16                 | 16                       | 1                       | 16                        | 4                        |
| SMR2016  | 3M                | 10         | 4M              | 16                 | 16                       | 1                       | 16                        | 4                        |
| SMR4012U | D1/VGA            | 30         | 2M              | 12                 | 12                       | 1                       | 16                        | 4                        |
| SMR4012U | 1.3M              | 30         | 4M              | 12                 | 12                       | 1                       | 16                        | 4                        |
| SMR4012U | 2M                | 15         | 4M              | 12                 | 12                       | 1                       | 16                        | 4                        |
| SMR4012U | 3M                | 10         | 4M              | 12                 | 12                       | 1                       | 16                        | 4                        |
| SMR4016U | D1/VGA            | 30         | 2M              | 16                 | 16                       | 1                       | 16                        | 4                        |
| SMR4016U | 1.3M              | 30         | 4M              | 16                 | 16                       | 1                       | 16                        | 4                        |
| SMR4016U | 2M                | 15         | 4M              | 16                 | 16                       | 1                       | 16                        | 4                        |
| SMR4016U | 3M                | 10         | 4M              | 16                 | 16                       | 1                       | 16                        | 4                        |
| SMR4020U | D1/VGA            | 30         | 2M              | 20                 | 16 (20CH by tour)        | 1                       | 16 (20CH by tour)         | 4                        |
| SMR4020U | 1.3M              | 30         | 4M              | 20                 | 16 (20CH by tour)        | 1                       | 16 (20CH by tour)         | 4                        |
| SMR4020U | 2M                | 15         | 4M              | 20                 | 16 (20CH by tour)        | 1                       | 16 (20CH by tour)         | 4                        |
| SMR4020U | 3M                | 10         | 4M              | 20                 | 16 (20CH by tour)        | 1                       | 16 (20CH by tour)         | 4                        |
| SMR4012U | D1/VGA            | 30         | 2M              | 12                 | N/A                      | N/A                     | 32                        | 4                        |
| SMR4012U | 1.3M              | 30         | 4M              | 12                 | N/A                      | N/A                     | 32                        | 4                        |
| SMR4012U | 2M                | 15         | 4M              | 12                 | N/A                      | N/A                     | 32                        | 4                        |
| SMR4012U | 3M                | 10         | 4M              | 12                 | N/A                      | N/A                     | 32                        | 4                        |
| SMR4016U | D1/VGA            | 30         | 2M              | 16                 | N/A                      | N/A                     | 32                        | 4                        |
| SMR4016U | 1.3M              | 30         | 4M              | 16                 | N/A                      | N/A                     | 32                        | 4                        |
| SMR4016U | 2M                | 15         | 4M              | 16                 | N/A                      | N/A                     | 32                        | 4                        |
| SMR4016U | 3M                | 10         | 4M              | 16                 | N/A                      | N/A                     | 32                        | 4                        |
| SMR4020U | D1/VGA            | 30         | 2M              | 20                 | N/A                      | N/A                     | 32                        | 4                        |
| SMR4020U | 1.3M              | 30         | 4M              | 20                 | N/A                      | N/A                     | 32                        | 4                        |
| SMR4020U | 2M                | 15         | 4M              | 20                 | N/A                      | N/A                     | 32                        | 4                        |
| SMR4020U | 3M                | 10         | 4M              | 20                 | N/A                      | N/A                     | 32                        | 4                        |
| SMR5012  | D1/VGA            | 30         | 2M              | 12                 | 12                       | 1                       | 16                        | 4                        |
| SMR5012  | 1.3M              | 30         | 4M              | 12                 | 12                       | 1                       | 16                        | 4                        |
| SMR5012  | 2M                | 15         | 4M              | 12                 | 12                       | 1                       | 16                        | 4                        |
| SMR5012  | 3M                | 10         | 4M              | 12                 | 12                       | 1                       | 16                        | 4                        |
| SMR5016  | D1/VGA            | 30         | 2M              | 16                 | 16                       | 1                       | 16                        | 4                        |
| SMR5016  | 1.3M              | 30         | 4M              | 16                 | 16                       | 1                       | 16                        | 4                        |
| SMR5016  | 2M                | 15         | 4M              | 16                 | 16                       | 1                       | 16                        | 4                        |
| SMR5016  | 3M                | 10         | 4M              | 16                 | 16                       | 1                       | 16                        | 4                        |
| SMR5020  | D1/VGA            | 30         | 2M              | 20                 | 16 (20CH by tour)        | 1                       | 16 (20CH by tour)         | 4                        |
| SMR5020  | 1.3M              | 30         | 4M              | 20                 | 16 (20CH by tour)        | 1                       | 16 (20CH by tour)         | 4                        |
| SMR5020  | 2M                | 15         | 4M              | 20                 | 16 (20CH by tour)        | 1                       | 16 (20CH by tour)         | 4                        |
| SMR5020  | 3M                | 10         | 4M              | 20                 | 16 (20CH by tour)        | 1                       | 16 (20CH by tour)         | 4                        |
| SMR6025H | D1/VGA            | 30         | 2M              | 9+16 (IP+Analogy)  | 25                       | 1                       | 25                        | 4                        |
| SMR6025H | 1.3M              | 30         | 4M              | 9+16 (IP+Analogy)  | 25                       | 1                       | 25                        | 4                        |
| SMR6025H | 2M                | 15         | 4M              | 9+16 (IP+Analogy)  | 25                       | 1                       | 25                        | 4                        |
| SMR6025H | 3M                | 10         | 4M              | 9+16 (IP+Analogy)  | 25                       | 1                       | 25                        | 4                        |
| SMR6032H | D1/VGA            | 30         | 2M              | 16+16 (IP+Analogy) | 25 (32CH by tour)        | 4                       | 25 (32CH by tour)         | 4                        |
| SMR6032H | 1.3M              | 15         | 2M              | 16+16 (IP+Analogy) | 25 (32CH by tour)        | 4                       | 25 (32CH by tour)         | 4                        |
| SMR8016  | D1/VGA            | 30         | 2M              | 16                 | 16                       | 4                       | 36                        | 4                        |
| SMR8016  | 1.3M              | 30         | 4M              | 16                 | 16                       | 4                       | 36                        | 4                        |
| SMR8016  | 2M                | 25         | 6M              | 16                 | 16                       | 4                       | 36                        | 4                        |
| SMR8016  | 3M                | 10         | 6M              | 16                 | 16                       | 4                       | 36                        | 4                        |
| SMR8025  | D1/VGA            | 30         | 2M              | 25                 | 25                       | 4                       | 36                        | 4                        |
| SMR8025  | 1.3M              | 30         | 4M              | 25                 | 25                       | 4                       | 36                        | 4                        |
| SMR8025  | 2M                | 25         | 6M              | 25                 | 25                       | 4                       | 36                        | 4                        |
| SMR8025  | 3M                | 15         | 6M              | 25                 | 25                       | 4                       | 36                        | 4                        |

Network Video Recorder

# NVR2100 Series

Enterprise Megapixel RAID NVR

## Performance Validation

| Model    | Camera Resolution | Camera FPS | Camera Bit Rate | Recording Channels | Local Live View Channels | Local Playback Channels | Remote Live View Channels | Remote Playback Channels |
|----------|-------------------|------------|-----------------|--------------------|--------------------------|-------------------------|---------------------------|--------------------------|
| SMR8032  | D1/VGA            | 30         | 2M              | 32                 | 32                       | 4                       | 36                        | 4                        |
| SMR8032  | 1.3M              | 30         | 4M              | 32                 | 32                       | 4                       | 36                        | 4                        |
| SMR8032  | 2M                | 25         | 6M              | 32                 | 32                       | 4                       | 36                        | 4                        |
| SMR8032  | 3M                | 15         | 6M              | 32                 | 32                       | 4                       | 36                        | 4                        |
| SMR8040  | D1/VGA            | 30         | 2M              | 40                 | 36 (40CH by tour)        | 4                       | 36 (40CH by tour)         | 4                        |
| SMR8040  | 1.3M              | 30         | 4M              | 40                 | 36 (40CH by tour)        | 4                       | 36 (40CH by tour)         | 4                        |
| SMR8040  | 2M                | 25         | 6M              | 40                 | 36 (40CH by tour)        | 4                       | 36 (40CH by tour)         | 4                        |
| SMR8040  | 3M                | 15         | 6M              | 40                 | 36 (40CH by tour)        | 4                       | 36 (40CH by tour)         | 4                        |
| SMR8016U | D1/VGA            | 30         | 2M              | 16                 | 16                       | 4                       | 36                        | 4                        |
| SMR8016U | 1.3M              | 30         | 4M              | 16                 | 16                       | 4                       | 36                        | 4                        |
| SMR8016U | 2M                | 25         | 6M              | 16                 | 16                       | 4                       | 36                        | 4                        |
| SMR8016U | 3M                | 15         | 6M              | 16                 | 16                       | 4                       | 36                        | 4                        |
| SMR8025U | D1/VGA            | 30         | 2M              | 25                 | 25                       | 4                       | 36                        | 4                        |
| SMR8025U | 1.3M              | 30         | 4M              | 25                 | 25                       | 4                       | 36                        | 4                        |
| SMR8025U | 2M                | 25         | 6M              | 25                 | 25                       | 4                       | 36                        | 4                        |
| SMR8025U | 3M                | 15         | 6M              | 25                 | 25                       | 4                       | 36                        | 4                        |
| SMR8032U | D1/VGA            | 30         | 2M              | 32                 | 32                       | 4                       | 36                        | 4                        |
| SMR8032U | 1.3M              | 30         | 4M              | 32                 | 32                       | 4                       | 36                        | 4                        |
| SMR8032U | 2M                | 25         | 6M              | 32                 | 32                       | 4                       | 36                        | 4                        |
| SMR8032U | 3M                | 15         | 6M              | 32                 | 32                       | 4                       | 36                        | 4                        |
| SMR8040U | D1/VGA            | 30         | 2M              | 40                 | 36 (40CH by tour)        | 4                       | 36 (40CH by tour)         | 4                        |
| SMR8040U | 1.3M              | 30         | 4M              | 40                 | 36 (40CH by tour)        | 4                       | 36 (40CH by tour)         | 4                        |
| SMR8040U | 2M                | 25         | 6M              | 40                 | 36 (40CH by tour)        | 4                       | 36 (40CH by tour)         | 4                        |
| SMR8040U | 3M                | 15         | 6M              | 40                 | 36 (40CH by tour)        | 4                       | 36 (40CH by tour)         | 4                        |
| SMR8016U | D1/VGA            | 30         | 2M              | 16                 | N/A                      | N/A                     | 72                        | 4                        |
| SMR8016U | 2M                | 30         | 4M              | 16                 | N/A                      | N/A                     | 72                        | 4                        |
| SMR8016U | 2M                | 25         | 6M              | 16                 | N/A                      | N/A                     | 72                        | 4                        |
| SMR8016U | 3M                | 15         | 6M              | 16                 | N/A                      | N/A                     | 72                        | 4                        |
| SMR8025U | D1/VGA            | 30         | 2M              | 25                 | N/A                      | N/A                     | 72                        | 4                        |
| SMR8025U | 1.3M              | 30         | 4M              | 25                 | N/A                      | N/A                     | 72                        | 4                        |
| SMR8025U | 2M                | 25         | 6M              | 25                 | N/A                      | N/A                     | 72                        | 4                        |
| SMR8025U | 3M                | 15         | 6M              | 25                 | N/A                      | N/A                     | 72                        | 4                        |
| SMR8032U | D1/VGA            | 30         | 2M              | 32                 | N/A                      | N/A                     | 72                        | 4                        |
| SMR8032U | 1.3M              | 30         | 4M              | 32                 | N/A                      | N/A                     | 72                        | 4                        |
| SMR8032U | 2M                | 25         | 6M              | 32                 | N/A                      | N/A                     | 72                        | 4                        |
| SMR8032U | 3M                | 15         | 6M              | 32                 | N/A                      | N/A                     | 72                        | 4                        |
| SMR8040U | D1/VGA            | 30         | 2M              | 40                 | N/A                      | N/A                     | 72                        | 4                        |
| SMR8040U | 1.3M              | 30         | 4M              | 40                 | N/A                      | N/A                     | 72                        | 4                        |
| SMR8040U | 2M                | 25         | 6M              | 40                 | N/A                      | N/A                     | 72                        | 4                        |
| SMR8040U | 3M                | 15         | 6M              | 40                 | N/A                      | N/A                     | 72                        | 4                        |
| NVR2116  | D1/VGA            | 30         | 2M              | 16                 | N/A                      | N/A                     | 72                        | 4                        |
| NVR2116  | 1.3M              | 30         | 4M              | 16                 | N/A                      | N/A                     | 72                        | 4                        |
| NVR2116  | 2M                | 25         | 6M              | 16                 | N/A                      | N/A                     | 72                        | 4                        |
| NVR2116  | 3M                | 15         | 6M              | 16                 | N/A                      | N/A                     | 72                        | 4                        |
| NVR2125  | D1/VGA            | 30         | 2M              | 25                 | N/A                      | N/A                     | 72                        | 4                        |
| NVR2125  | 1.3M              | 30         | 4M              | 25                 | N/A                      | N/A                     | 72                        | 4                        |
| NVR2125  | 2M                | 25         | 6M              | 25                 | N/A                      | N/A                     | 72                        | 4                        |
| NVR2125  | 3M                | 15         | 6M              | 25                 | N/A                      | N/A                     | 72                        | 4                        |
| NVR2132  | D1/VGA            | 30         | 2M              | 32                 | N/A                      | N/A                     | 72                        | 4                        |
| NVR2132  | 1.3M              | 30         | 4M              | 32                 | N/A                      | N/A                     | 72                        | 4                        |
| NVR2132  | 2M                | 25         | 6M              | 32                 | N/A                      | N/A                     | 72                        | 4                        |
| NVR2132  | 3M                | 15         | 6M              | 32                 | N/A                      | N/A                     | 72                        | 4                        |
| NVR2148  | D1/VGA            | 30         | 2M              | 48                 | N/A                      | N/A                     | 72                        | 4                        |
| NVR2148  | 1.3M              | 30         | 4M              | 48                 | N/A                      | N/A                     | 72                        | 4                        |
| NVR2148  | 2M                | 25         | 6M              | 48                 | N/A                      | N/A                     | 72                        | 4                        |
| NVR2148  | 3M                | 15         | 6M              | 48                 | N/A                      | N/A                     | 72                        | 4                        |
| NVR2164  | D1/VGA            | 30         | 2M              | 64                 | N/A                      | N/A                     | 72                        | 4                        |
| NVR2164  | 1.3M              | 30         | 4M              | 64                 | N/A                      | N/A                     | 72                        | 4                        |
| NVR2164  | 2M                | 25         | 6M              | 64                 | N/A                      | N/A                     | 72                        | 4                        |
| NVR2164  | 3M                | 15         | 6M              | 64                 | N/A                      | N/A                     | 72                        | 4                        |

\* Burn-In Test condition: 14 days, round-the-clock  
 \* IP cameras using dual streaming capability

Network Video Recorder