

HSM-44-BX

4K 4X4 HDMI Matrix Switch with simultaneous HDMI and HDBaseT outputs



- HDCP 2.2 and 4K UHD
- Simultaneous HDMI and HDBaseT on each output
- Extends HDMI, IR, RS-232, Ethernet, and Power on HDBaseT
- Intuitive front panel control with two-line LCD
- Analog and Digital Extracted Audio Outputs
- Uses Hall Research Genesis™ Control Command Set (GCCS)

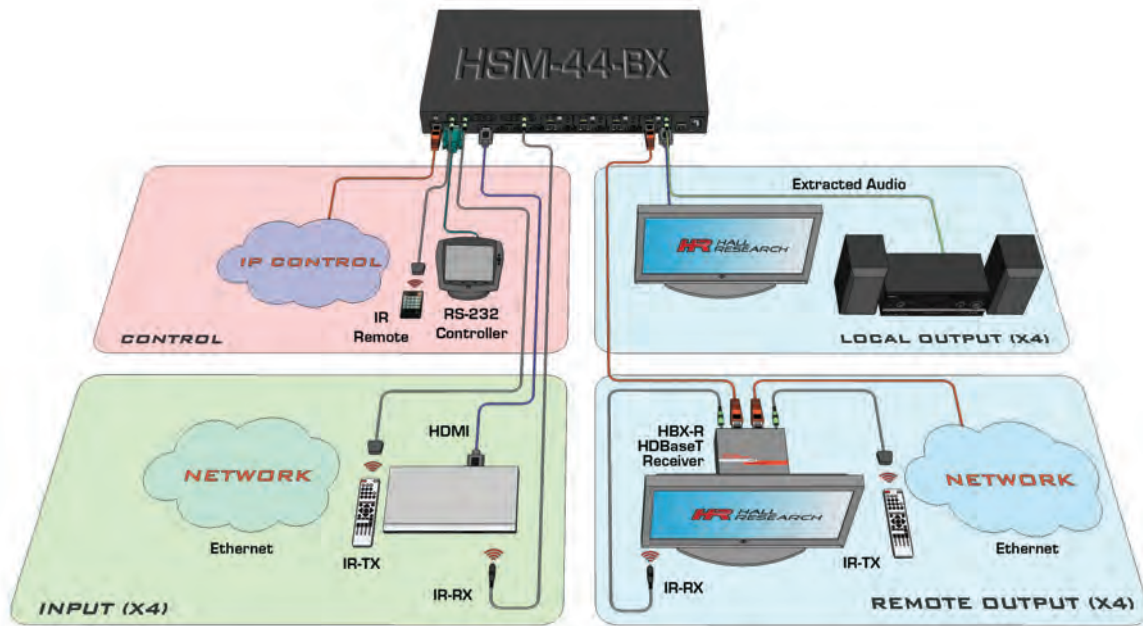
As a member of Genesis Digital Matrix™ series of switchers, the HSM-44-BX matrix provides exceptional quality, intuitive operation and powerful control methods that are hallmarks of Hall Research's video matrix switches.

The 4K matrix is a 4x4 cross-point switch in a compact 1-RU enclosure. Each output has integrated video splitter so that simultaneous HDMI and HDBaseT are provided.

The HDBaseT outputs extend HDMI, IR, RS-232, Ethernet, and Power over a single CAT6 cable to 100m (328 ft). The HDBaseT outputs are compatible with all compliant HDBaseT receivers such as the Hall Research's HBX-R which is a cost effective Receiver that provides HDMI, IR, RS-232 and IP (Ethernet) extension and gets its power from the matrix for maximum convenience.

The HSM-44-BX supports HDMI resolutions up to 4K @ 30 Hz 4:4:4 and 4K @ 60 Hz 4:2:0. It also supports HDCP 2.2 and 1.4, 3D, deep-color. PCM, Dolby, DTS, and HD audio standards. The matrix intelligently calculates EDID for each input based on the EDID of the connected sinks.

Block Diagram



Specifications

Input Ports:	4xHDMI IN
Output Ports:	4x HDMI OUT 4x HDBaseT
HDCP:	HDCP 2.2 and HDCP 1.4
PC Resolutions:	HD Resolutions:480i, 480p, 576i, 576p,720p, 1080i, 1080p 8, 12 or 16 bits per channel (24, 36 or 48 bits aggregate), 4K30 4:4:4, 4K60 4:2:0
Audio:	VGA through UXGA 4x Coax (S/PDIF digital supports all format listed below) 4x 3.5mm (Analog Stereo, L/R, supports only 2-channel formats) PCM2, PCM5.1, PCM7.1, Dolby5.1, DTS5.1, DD+, D-TrueHD, DTS-HD 16/20/24 bits per sample and up to 96 KHz Sampling Rate
Control:	Front Panel / Telnet/ RS232/ IR
Baud Rate:	115200 bps
Power Supply:	110-240vAC Internal (US/EU standards/ CE/FCC/UL certified)
Power Consumption:	50 W (Max)/0.5 W (Standby)
Housing:	Metal Enclosure
Color:	Black
ESD Protection:	Human body model - ±12kV [air-gap discharge] & ±8kV
Operating	Temp:32 to 122°F (0 to 50 °C) 10%~90%, non-condensing
Storing Temp:	-40 to +158°F [-40 to +70 °C]
Model Dimensions:	17.30" (440 mm) W x 7.80" (200 mm) D x 1.8" (45 mm) H
Shipping Dimensions:	18.9" (480mm) x 13.6" (345mm) x 3.4" (85mm)
Net Weight:	7.6 lbs. (3450 g)
Shipping Weight:	9.5 bs. (4310 g)
MTBF:	EMI/EMC:CE, FCC Class B 90,000 hours

HSM-44-BX

HR HALL RESEARCH
INNOVATE • CONNECT • COLLABORATE™

telsa®
La Alternativa en Conectividad
Más de 37 años de experiencia en soluciones de TIC

SERVING YOU SINCE 1984
hallresearch.com • 714.641.6607