

PixelPro Network Camera 1080p Mini Series







GANZ®

GANZ **PixelPro**

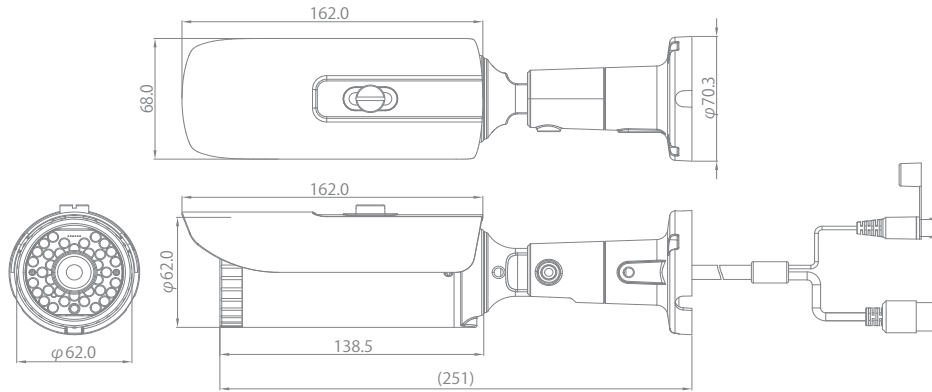
Features:

- 1080p HD resolution
- Progressive scan CMOS sensor
- PoE operation and additional power options
- True Day/Night performance
- Dual streaming video

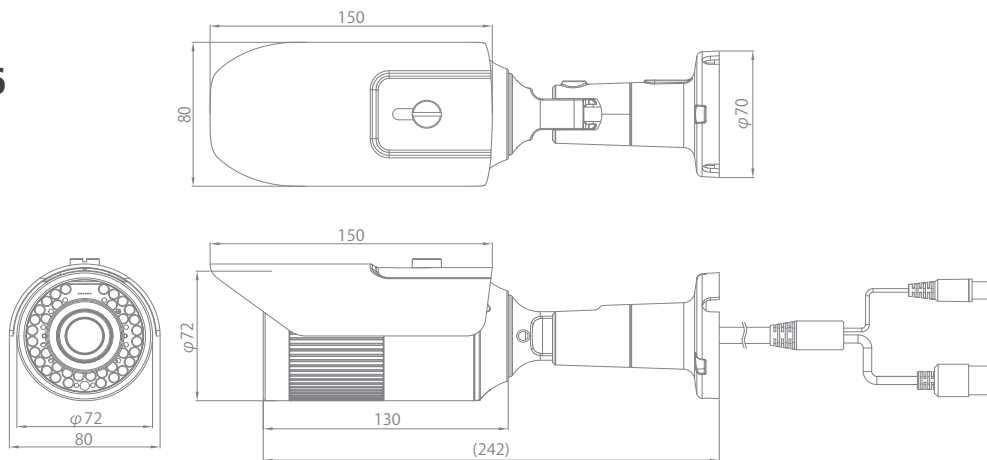
Model Number		ZN-N4NFN5 ZN-N4NFN9	ZN-N4NVD56	ZN-M4NTFN3L ZN-M4NTFN4L ZN-M4NTFN9L	ZN-M4NFN3L ZN-M4NFN4L ZN-M4NFN9L
					
Camera	Image Sensor	1/2.9" Sony Exmor CMOS	1/2.8" Sony Exmor CMOS	1/2.8" Sony Exmor CMOS	1/2.9" Sony Exmor CMOS
	Max. Resolution	1920 x 1080			
	Effective Pixels	1984(H) x 1105(V)	1984(H) x 1225(V)		1984(H) x 1105(V)
	Effective Image Size (mm ; H x V, Diag)	5.56 x 3.09, 6.36 mm	5.56 x 3.43, 6.53 mm		5.56 x 3.09, 6.36 mm
	Day & Night	Removable IR Cut Filter			
	D->N threshold	SW selectable			SW (picture based)
	N->D threshold	SW selectable			SW (picture based)
	IR LED Number	30	36	1	15
	IR LED Lighting	Auto			
	Adaptive IR	-	Auto / Off		-
	Min. illumination	0 lx with IR LED ON			
	WDR	D-WDR			
	White Balance	ATW / MANUAL(PRESET)			
	AGC	Yes			
	S/N ratio	45 dB or more			
	BLC(Back Light Compensation)	Yes			
	Defog	Yes			
e-Shutter Speed (Manual)	1/4~1/2000				
e-Shutter Speed (Auto)	1/25(30)~1/5000				
Slow Shutter	Off, x2, x4, x8				
3D DNR	Yes (Depends on Codec Configuration)				
Privacy Mask	4 area (8 color)				
Lens	Lens	Fixed Lens, ZN-N4NFN5 ; f=4mm F1.8, ZN-N4NFN9 ; f=6mm F1.8	Vari Focal f = 2.8-12mm, F1.4 DC-Iris	Fixed Lens, ZN-M4NTFN3L; f=2.8mm F1.8, ZN-M4NTFN4L; f=3.6mm F1.8, ZN-M4NTFN9L; f=6mm F1.8	Fixed Lens, ZN-M4NFN3L; f=2.8mm F1.8, ZN-M4NFN4L; f=3.6mm F1.8, ZN-M4NFN9L; f=6mm F1.8
	Iris	Fixed Iris	DC Iris	Fixed Iris	Fixed Iris
	Optical Zoom	-	4.3x	-	
	Field of View (H/V/D)	ZN-N4NFN5(f=4mm) : 81 / 43 / 87° ZN-N4NFN9(f=6.0mm) : 51 / 29 / 57_	96 / 51 / 101° (wide), 34 / 18 / 38° (tele)	ZN-M4NTFN3L(f=2.8mm) : 109 / 61 / 125° ZN-M4NTFN4L(f=3.6mm) : 86 / 46 / 100° ZN-M4NTFN9L(f=6mm) : 43 / 28 / 60°	ZN-M4NFN3L(f=2.8mm) : 109 / 61 / 125° ZN-M4NFN4L(f=3.6mm) : 86 / 46 / 100° ZN-M4NFN9L(f=6mm) : 43 / 28 / 60°
Network	Network	10BASE-T, 100BASE-TX, RJ45			
	Image Compression	H.264, MJPEG : Image quality: 100 Steps(Q value)			
	Resolution	1920 x 1080(Full HD), 1280 x 1024(SXGA), 1024x768(XGA), 1280 x 720(720p), 640 x 480(VGA), 640 x 360(HVGAW) 704 x 480/576(4CIF), 352 x 240/288(CIF)			
	Digital Zoom	2 ~ 10x(Client Software)			
	Protocol	IPv4, HTTP, SMTP, UPnP, DNS, RTSP, DDNS, RTP, TCP, UDP, RTCP, DHCP, ARP, FTP, IGMP, ICMP, NTP			
	Max Connections	Unicast : 10, Multicast: Unlimited			
	Frame Rate	1 fps ~ 25 fps / 1 fps ~ 30 fps			
	Web Browser	Internet Explorer 9.0 or above, Firefox, Chrome. Smart Phone (iOS, Android)			
	Security	Password Protection			
	SDK(API)	HTTP based API, Onvif Profile S			
	VMD(Video Motion Detection)	User set 4 ROI(Region Of Interest), 30 Step Sensitivity			
	ROI	TBD			
	Recording	-			Snapshot (microSD)
	Alarm Trigger	VMD		VMD, External Alarm Input	VMD
	Alarm Event	E-mail notification(Snapshot), FTP transfer(Snapshot)		E-mail notification(Snapshot), FTP transfer(Snapshot), External Alarm Out	E-mail notification(Snapshot), FTP transfer(Snapshot)
	Defective Pixel Correction	Yes (On the fly)			
	Streaming	Dual Stream			
Tamper Detection	-				
Multi Language	Yes				

DIMENSIONS (Unit:mm)

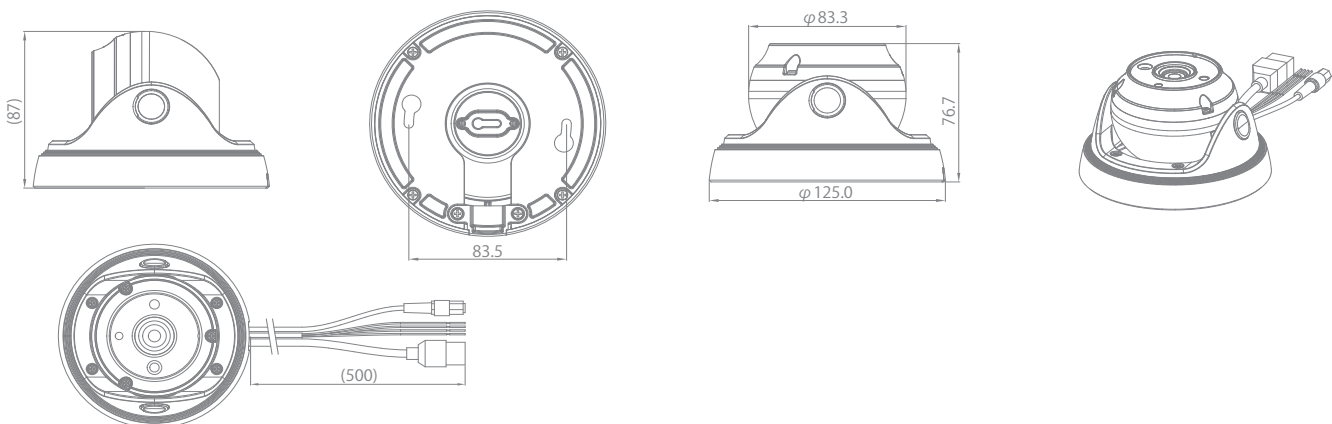
ZN-N4NFN5 ZN-N4NFN9



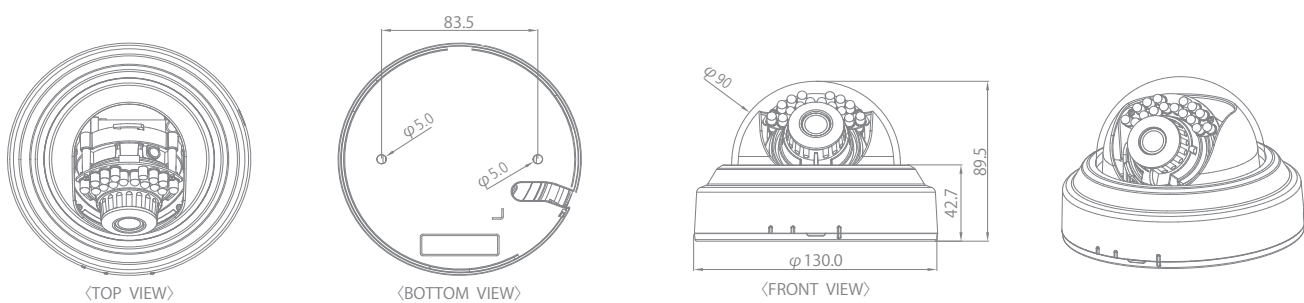
ZN-N4NVD56



ZN-M4NTFN3L, ZN-M4NTFN4L, ZN-M4NTFN9L



ZN-M4NFN3L, ZN-M4NFN4L, ZN-M4NFN9L





PixelPro Network Camera 1080p Mini Series

SPECIFICATION-2 (Power, I/O, Audio, Video Signal and Other)

Model Number		ZN-N4NFN5 ZN-N4NFN9	ZN-N4NVD56	ZN-M4NTFN3L ZN-M4NTFN4L ZN-M4NTFN9L	ZN-M4NFN3L ZN-M4NFN4L ZN-M4NFN9L
Power	DC	-			12VDC
	AC	-			
	PoE	IEEE 802.3af class0	IEEE 802.3af class2		
	Power Consumption	110mA @ PoE, 5.3W	112mA @ PoE, 5.4W	430mA @ 12VDC, 5.2W 130mA @ PoE, 6.2W	259mA @ 12VDC, 3.1W 83mA @ PoE, 4.0W
	Heater	-			
I/O	microSD Card, Max Memory Size	-			SD / SDHC, up to 32GB
	Analog Video Out, (Installation Only)	CVBS Output, BNC connector	CVBS Output, Stereo Jack	-	CVBS Output, Stereo Jack
	Alarm In	-	-	1	-
	Alarm Out	-	-	1	-
Audio	Audio In	-	1x Line in	-	-
	Audio Out	-			
	Audio CODEC	-	G.711 u-law 8kHz	-	-
	RS485	-			
Analog (Installation Only)	Video Signal	NTSC/PAL selectable	NTSC/PAL selectable	-	NTSC/PAL selectable
	Monitor Output	Composite Output(BNC), 75 ohm 1Vpp			Composite Output(BNC), 75 ohm 1Vpp
	Scanning Frequency	NTSC: (H) 15.734 kHz, (V) 59.94 Hz PAL: (H) 15.625 kHz, (V) 50 Hz			NTSC: (H)15.734 kHz, (V)59.94Hz PAL: (H)15.625 kHz, (V)50Hz
Others	FAN	-			
	Ambient Temperature	-10°C ~ 50°C (14°F~122°F)			0°C ~ 40°C (32°F~104°F)
	Ambient Humidity	less than 90%, Non-condensing			
	Materials	Aluminum Diecasting			Poly Carbonate
	Weight	678g	824g	614g	343g
	Dimensions(W x H x D)	ø62x251(H)Bracket:ø70.3mm, ø2.4x9.9(H)Bracket:ø2.8inch	ø72X242(L)Bracket:ø70mm, ø2.8X9.5(L)Bracket:ø2.8inch	ø125(body)x76.7(H) max 87(H)mm ø83.3(dome), ø4.9(body) x 3(H) max 3.4(H) inch, ø3.3(dome)	ø130(body)x89.5(H) ø90(dome) mm, ø5.1(body) x 3.5(H) ø3.5(dome) inch
	IK Rating	-			
	IP Rating	IP66			-

COMPATIBLE WITH:

Check our website or contact customer service for most updated information.



*Exact products and specifications shown may vary by geographic and subject to change without notice. Actual products may differ from the images appearing in the specification sheet.



CBC AMERICAS Corp.
Corporate Headquarters
Tel: 1-919-230-8700

West Coast Office
Tel: 1-310-222-8600

Mexico City Office
Tel: +52 55 5280 4660

ganzsecurity.com

©2016 CBC AMERICAS Corp. All rights reserved.